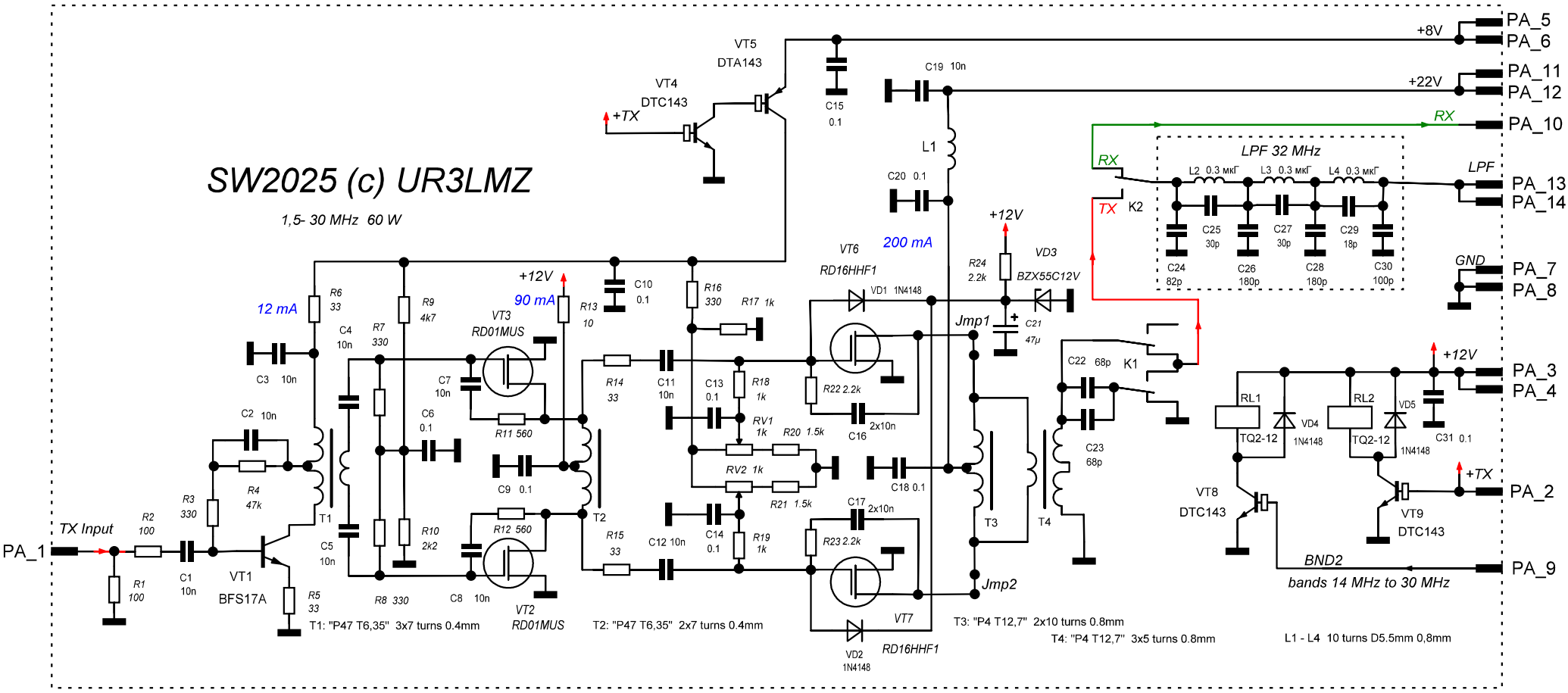


# SW2025 (c) UR3LMZ

1,5- 30 MHz 60 W



- PA\_5 +8V
- PA\_6
- PA\_11 +22V
- PA\_12
- PA\_10 RX
- PA\_13 LPF
- PA\_14
- PA\_7 GND
- PA\_8
- PA\_3 +12V
- PA\_4
- PA\_2 +TX
- PA\_9 BND2 bands 14 MHz to 30 MHz