

VERTEX STANDARD MH-67A8J SERVICE MANUAL



Table of Contents

[Exploded View & Miscellaneous Parts](#)

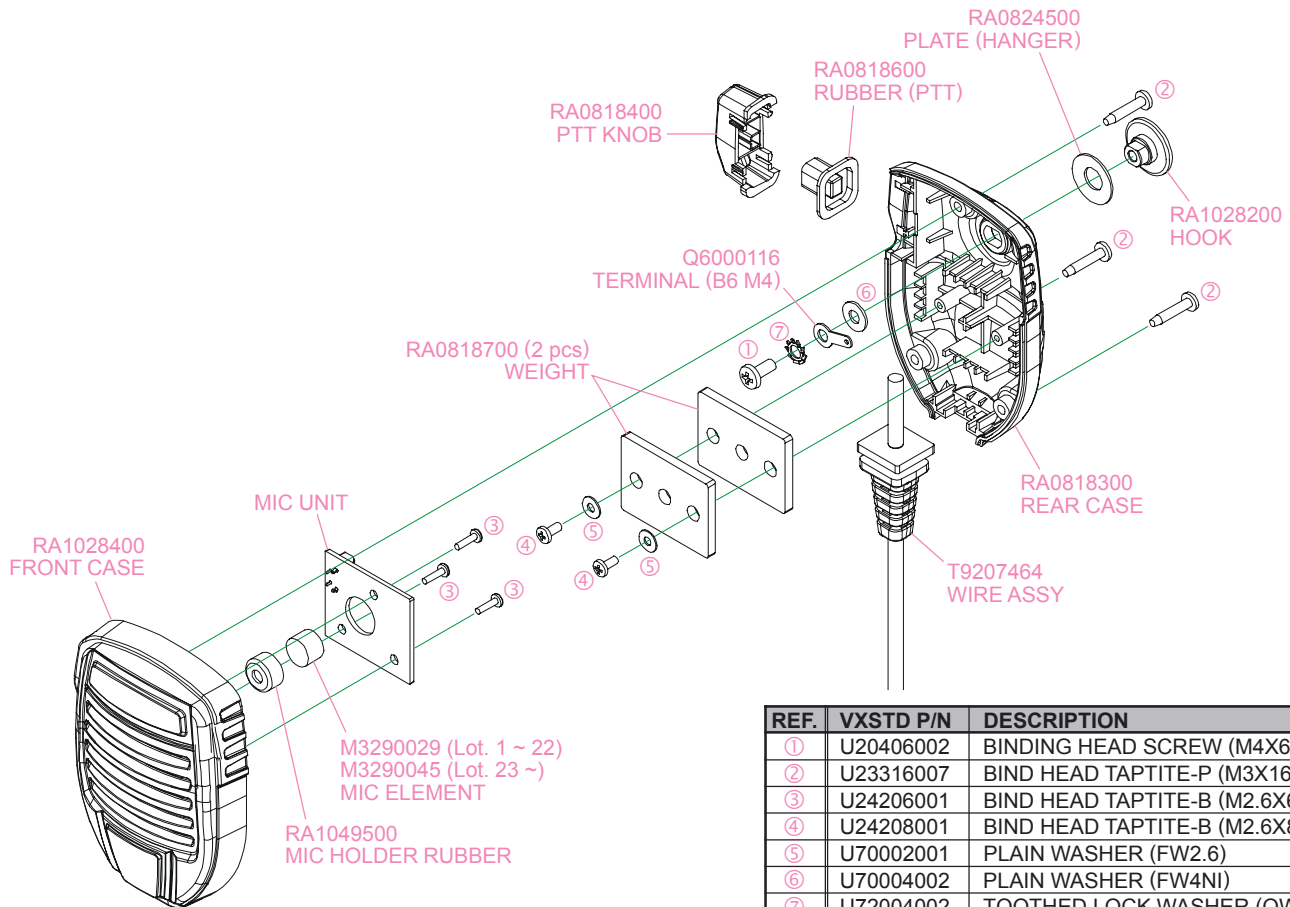
[Circuit Diagram](#)

[Parts Layout](#)

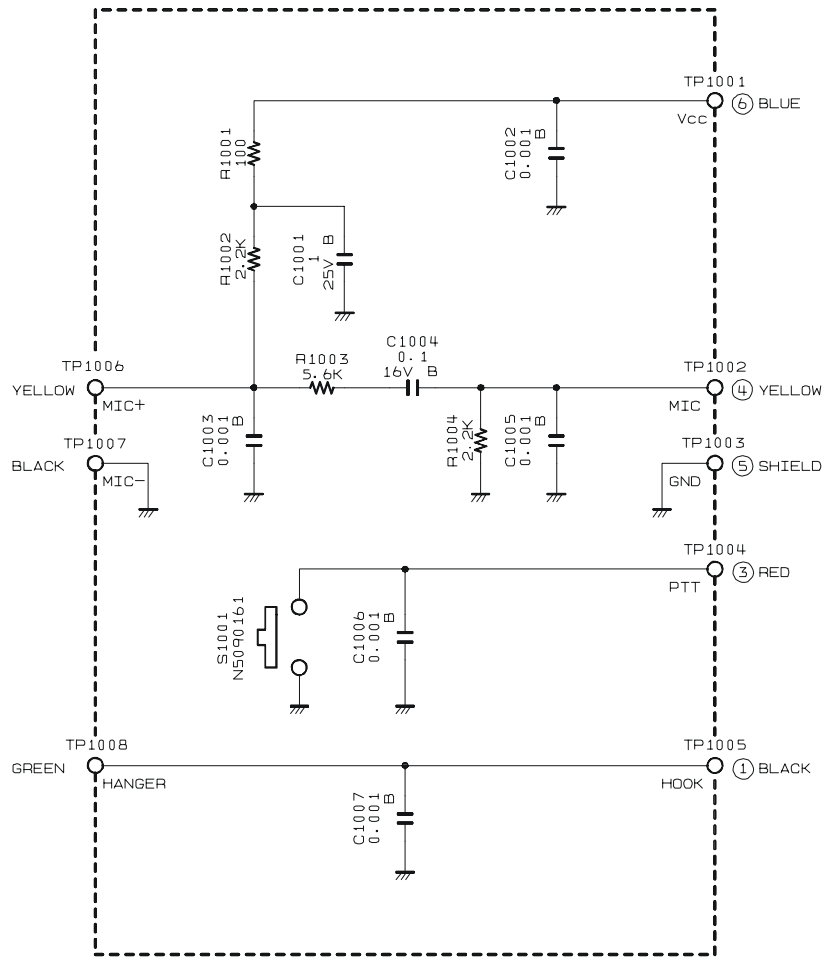
[Parts List](#)

[Other ManualsLib Projects](#)

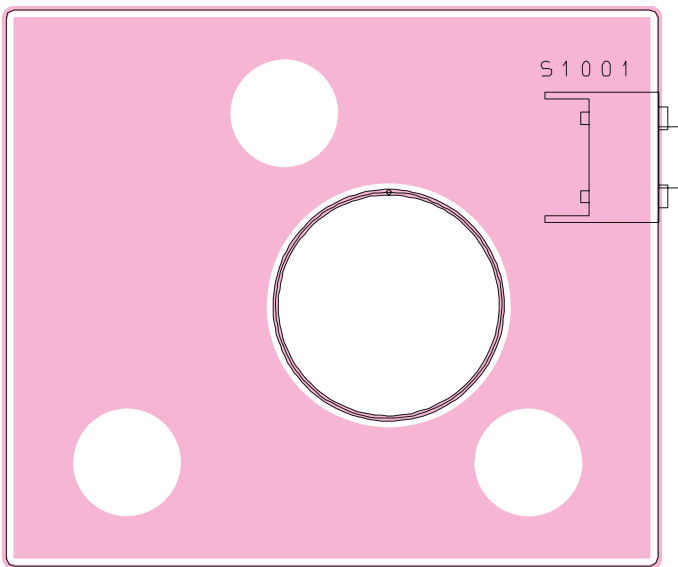
Exploded View & Miscellaneous Parts



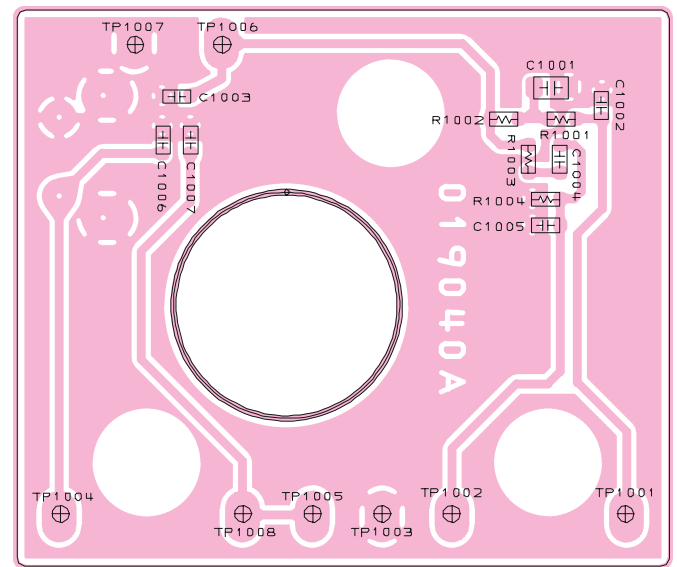
Circuit Diagram (Lot. 1 ~ 20)



Parts Layout (Lot. 1 ~ 20)

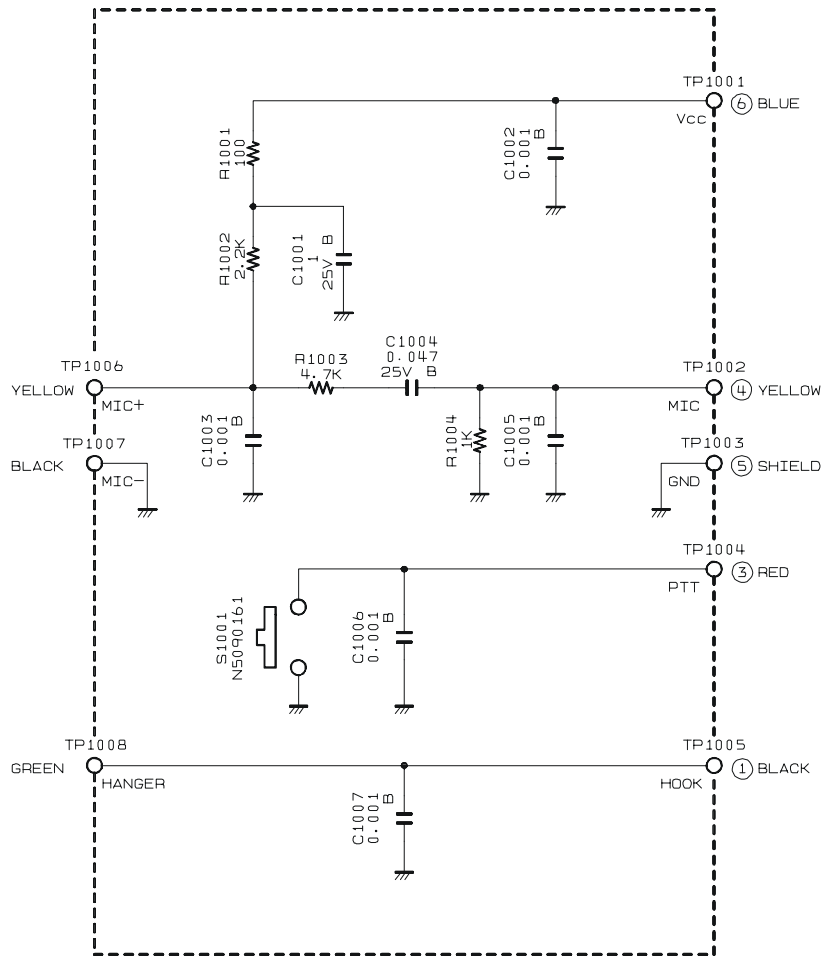


Side A

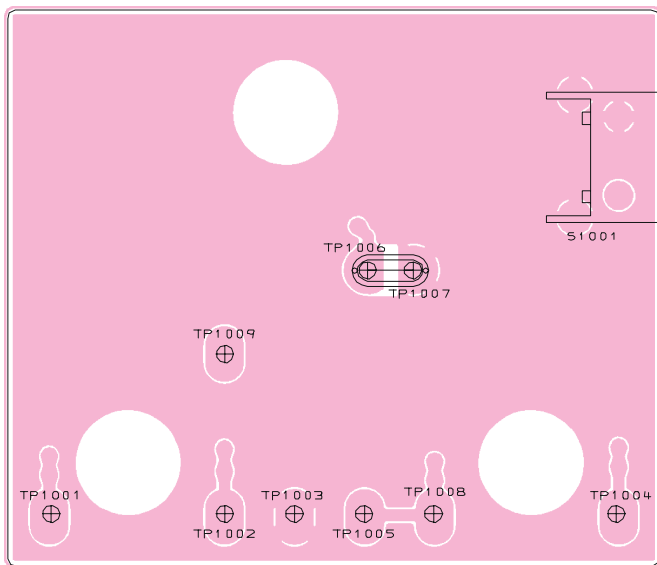


Side B

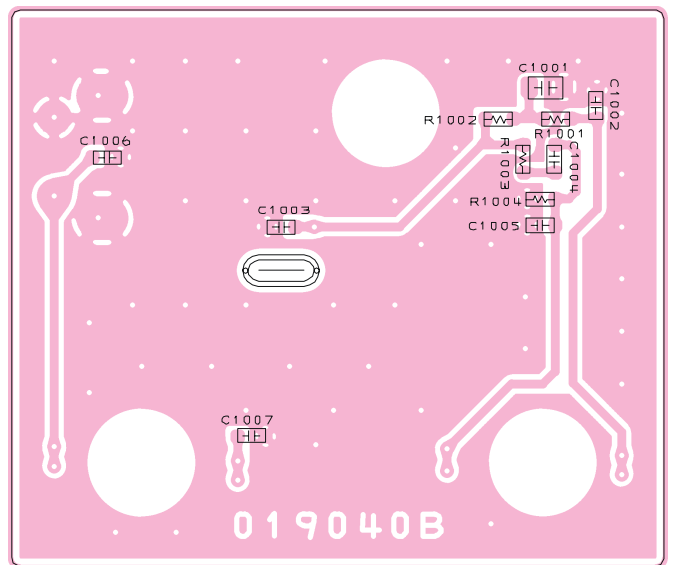
Circuit Diagram (Lot. 21 ~ 27)



Parts Layout (Lot. 21 ~ 27)

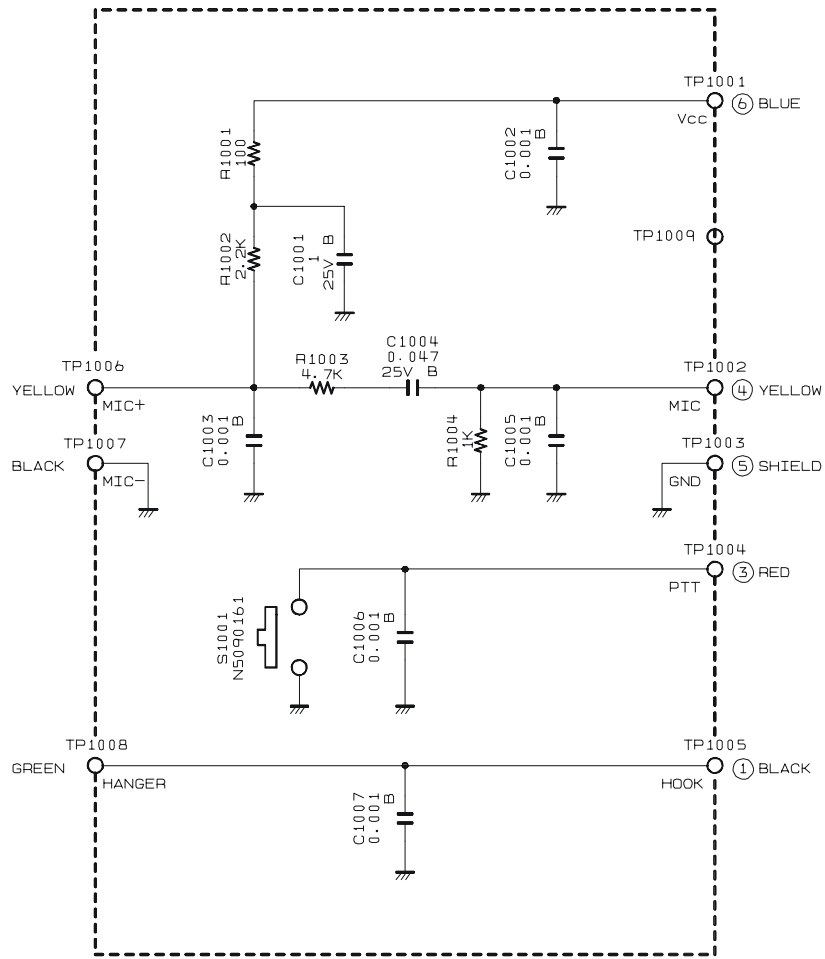


Side A

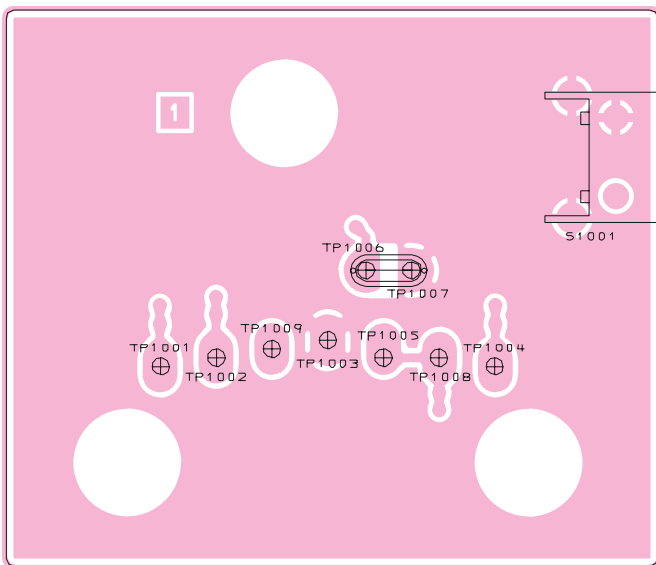


Side B

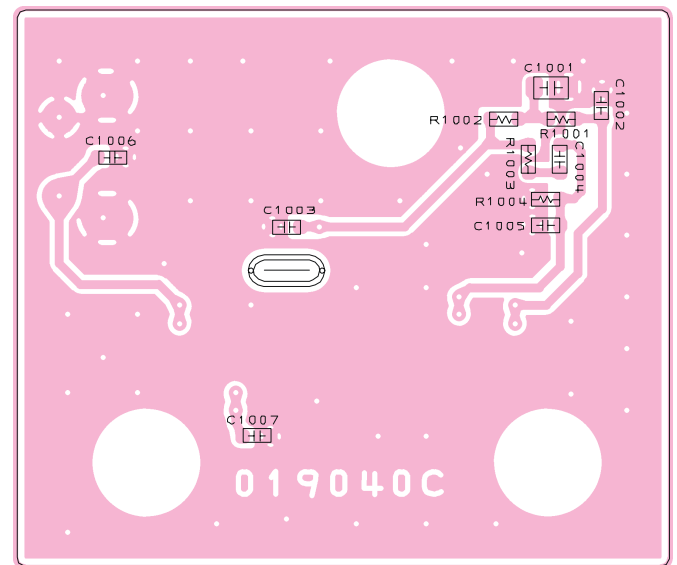
Circuit Diagram (Lot. 28 ~)



Parts Layout (Lot. 28 ~)



Side A



Side B

Parts List

REF.	DESCRIPTION	VALUE	V/W	TOL.	MFR'S DESIG	VXSTD P/N	VERS.	LOT.	SIDE	LAYADR
Printed Circuit Board					AAE60X000	FR019050A FR019050B FR019050C	1-20 21-27 28-			
C 1001	CHIP CAP.	1uF	25V	B	C2012JB1E105KT	K22140825		1-	B	
C 1002	CHIP CAP.	0.001uF	50V	B	GRM188B11H102KA01D	K22174821		1-	B	
C 1003	CHIP CAP.	0.001uF	50V	B	GRM188B11H102KA01D	K22174821		1-	B	
C 1004	CHIP CAP.	0.047uF	25V	B	GRM188B11E473KA01D	K22144811		1-	B	
C 1004	CHIP CAP.	0.1uF	16V	B	GRM188B11C104KA01D	K22124805		1-	B	
C 1005	CHIP CAP.	0.001uF	50V	B	GRM188B11H102KA01D	K22174821		1-	B	
C 1006	CHIP CAP.	0.001uF	50V	B	GRM188B11H102KA01D	K22174821		1-	B	
C 1007	CHIP CAP.	0.001uF	50V	B	GRM188B11H102KA01D	K22174821		1-	B	
R 1001	CHIP RES.	100	1/16W	5%	RMC1/16 101JATP	J24185101		1-	B	
R 1002	CHIP RES.	2.2k	1/16W	5%	RMC1/16 222JATP	J24185222		1-	B	
R 1003	CHIP RES.	4.7k	1/16W	5%	RMC1/16 472JATP	J24185472		1-	B	
R 1003	CHIP RES.	5.6k	1/16W	5%	RMC1/16 562JATP	J24185562		1-	B	
R 1004	CHIP RES.	2.2k	1/16W	5%	RMC1/16 222JATP	J24185222		1-	B	
R 1004	CHIP RES.	1k	1/16W	5%	RMC1/16 102JATP	J24185102		1-	B	
S 1001	TACT SWITCH				SKHHLVA010	N5090161		1-	A	



©2009 VERTEX STANDARD CO., LTD.
All rights reserved.

No portion of this manual
may be reproduced
without the permission of
VERTEX STANDARD CO., LTD.

Other ManualsLib Projects



www.manualslib.com



www.manualslib.de



www.manualslib.es



www.manualslib.fr



www.manualslib.nl



www.manualslib.mx



www.manualslib.tech 30+ Languages